

PlateCrane™ SciClops

Vision-Guided Robot Arm

The PlateCrane SciClops introduces revolutionary features for lab automation flexibility and ease-of-use. Just Move It Near Your Instrument, and It Does the Rest!

Finally, a laboratory robot arm that teaches itself!

Eliminates the most common problem in benchtop robot systems: *mishandled plates from inaccurate position calibrations.*

It's great new features include:

- Integrated Vision Teaching
- 40% Larger Work Envelope
- Unlimited Rotation



PlateCrane SciClops.

Hudson's PlateCrane SciClops is affordable and flexible enough for automating any plate-handling task. Change the way you think about laboratory robots!

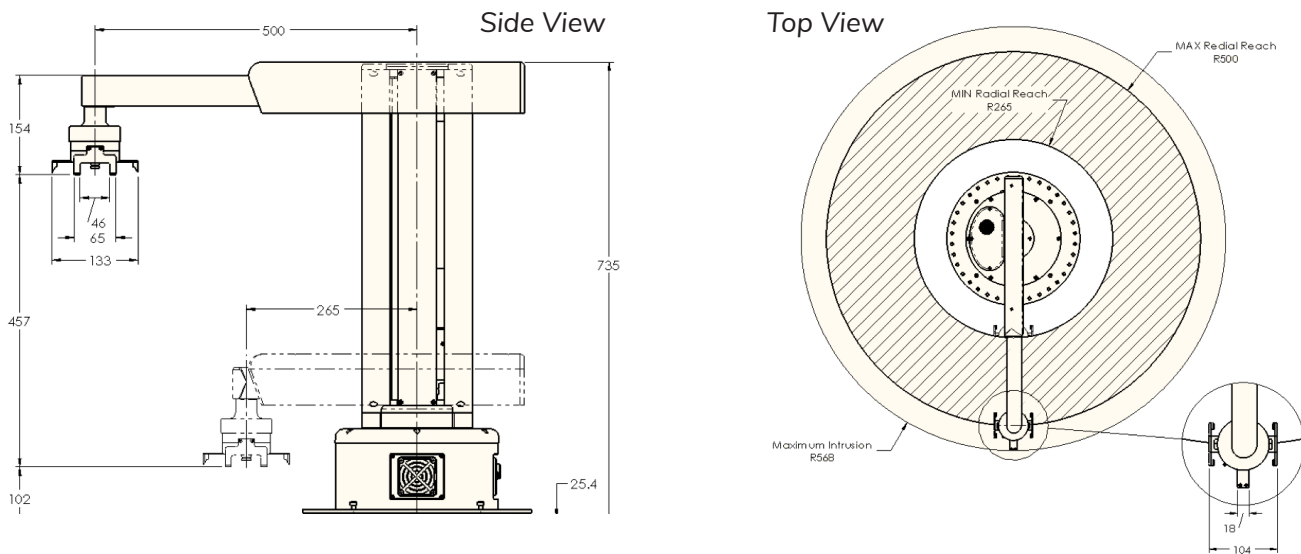
- Move the SciClops from one workcell to another and be ready to run in minutes!
- Handles any ANSI SLAS-standard microplate including 96, 384, 1536- well, deep-well blocks and tip boxes.
- Plug-and-Play USB computer interface.
- Automated plate handling with over 200 different instruments.
- Works with lidded or unlidded plates.
- Small enough to fit into a standard laboratory hood.
- Random access stacker option for room temperature incubations and kinetic assays.
- Add additional plates to running protocols with ease.
- All PlateCrane systems come with SoftLinx V Scheduling software. SoftLinx is an easy to use, drag-and-drop control program. Quickly and easily create automated methods.
- One (1) SciClops easily supports multiple instruments.

Applications

The PlateCrane SciClops is the best, most accurate and easiest solution for automating plate-handling in the lab:

- ELISAs: Dispensers, Washers, Readers
- Cellular Assays: Flow Cytometers, HCS, DLS, Microscopes
- Synthetic Biology: DNA Purification, Extractions, Colony Picking
- Sample Prep & Purifications: SPE, Serial Dilution, Filtrations

PlateCrane SciClops - Expanded Work Envelope



Specifications

The SciClops is available with either a standard gripper* or a side gripper* for random access applications.

- Complete Vision Teaching is STANDARD in every SciClops
- 360°+ (unlimited) horizontal rotation for unparalleled flexibility.
- All PlateCrane systems work with lidded plates.
- Comes standard with 5 stacks; each stack holds 25 lidded plates, 30 plates without lids or 9 DW blocks
- Plate capacity can be expanded to 15 stacks or up to three 10-stack carousels.
- 265 to 500 mm horizontal reach from center axis.

*Both grippers are rotary for working with either landscape or portrait nest positions

Vertical reach	Maximum 22 inches from table; 18 inches vertical travel distance
Height and weight	28 - 29 inches; 45lbs. without stacks
Operating temperature and humidity	15° to 40°C (59° to 104°F); 0 to 85%, non-condensing
Computer interface	USB
Power input	115V / 220V AC, 50/60 Hz ; 2A

© Copyright 2023. Hudson Robotics, Inc. All rights reserved. The trademarks mentioned herein are the property of Hudson Robotics or their respective owners. 0013.19.2